



East Hall under construction - 1962

East Area Renovation Project EAR.WP10 – Status of CV activities

Francesco Dragoni
EN/CV-PJ
03-07-2020



ENGINEERING
DEPARTMENT



EAST AREA RENOVATION

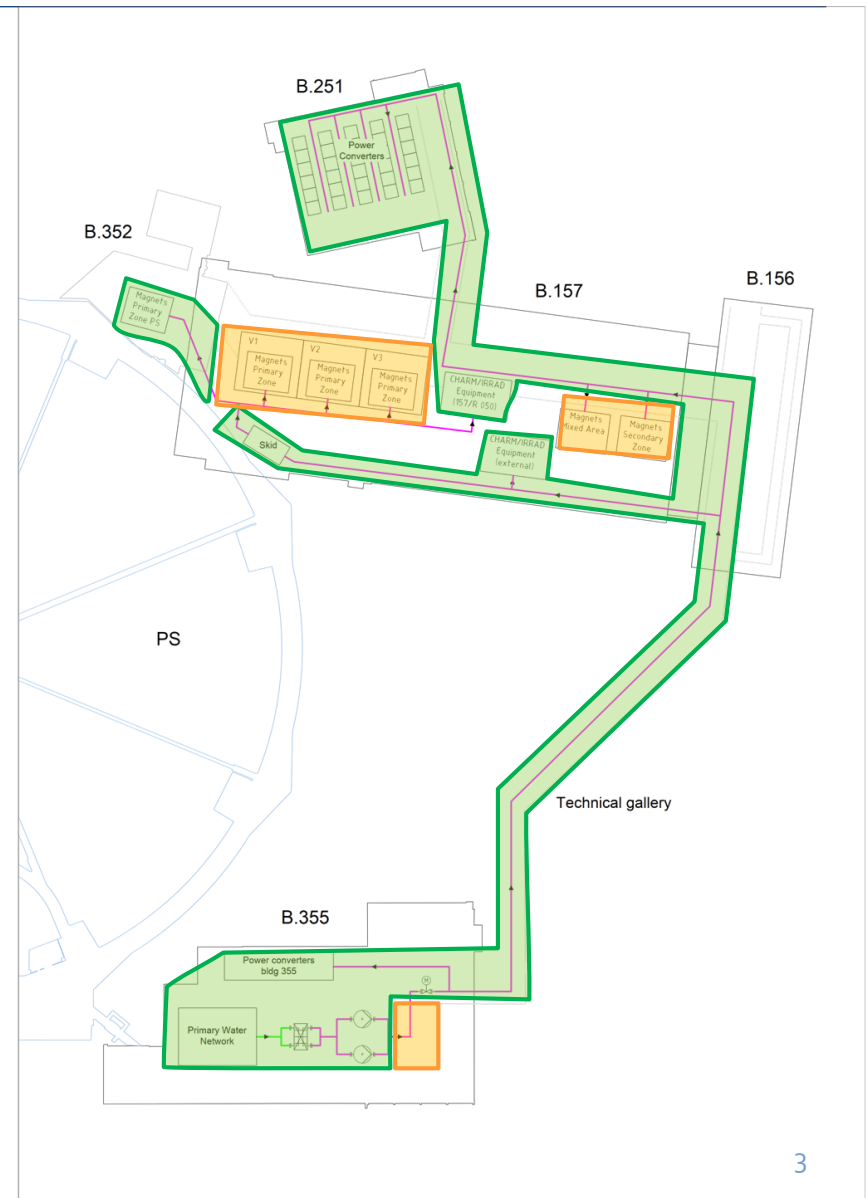


Outline

- Status report
- ATEX ventilation
- Challenges ahead
- Commissioning plans

Status: Demineralised water cooling - 1/2

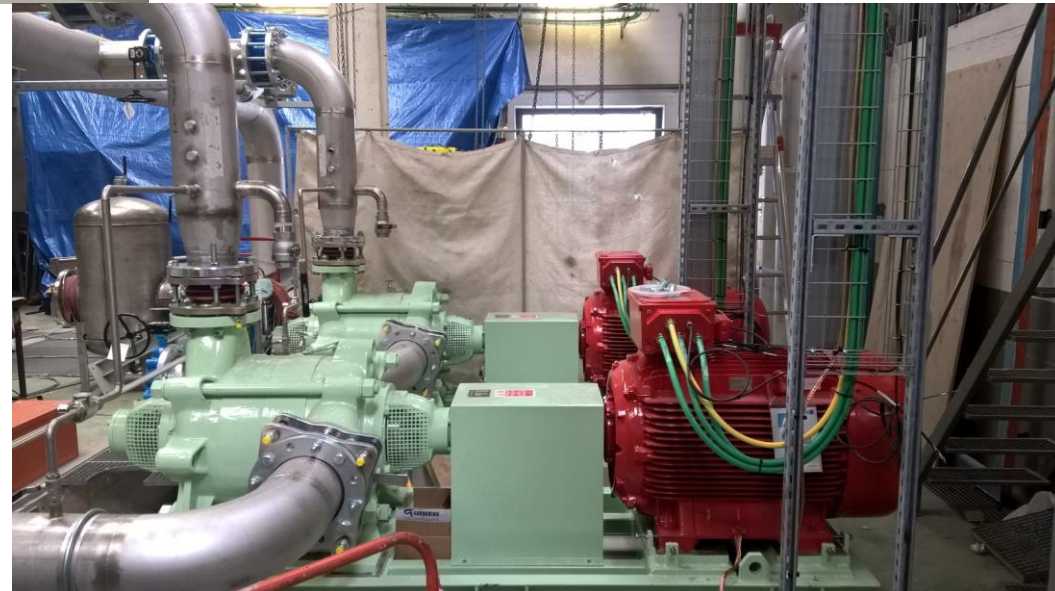
- **B157 – DemiWater Skid**
 - Mech. Installation: 100%
 - Elect. Installation: 90%
- **B157 Distribution**
 - CHARM/IRRAD: 100%
 - Magnets: ongoing
- **B352**
 - Mech. Installation: 100%
- **B251 – Power converter**
 - Mech Installation: 100%
- **B355 – DemiWater station**
 - Mech. Installation: 90%
 - Elect. Installation: 70%
- **Technical galleries**
 - Mech Installation: 100%



Status: Demineralised water cooling 2-2



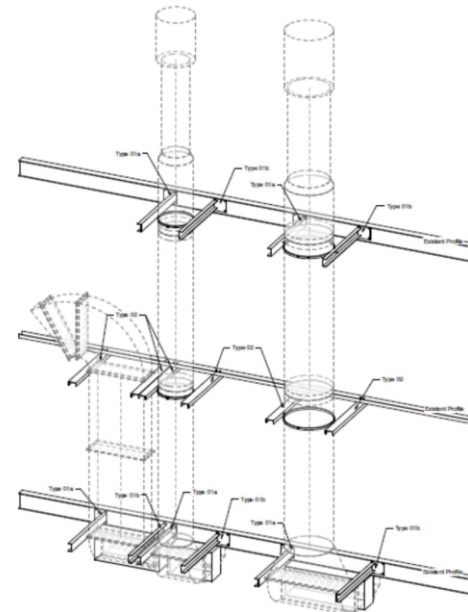
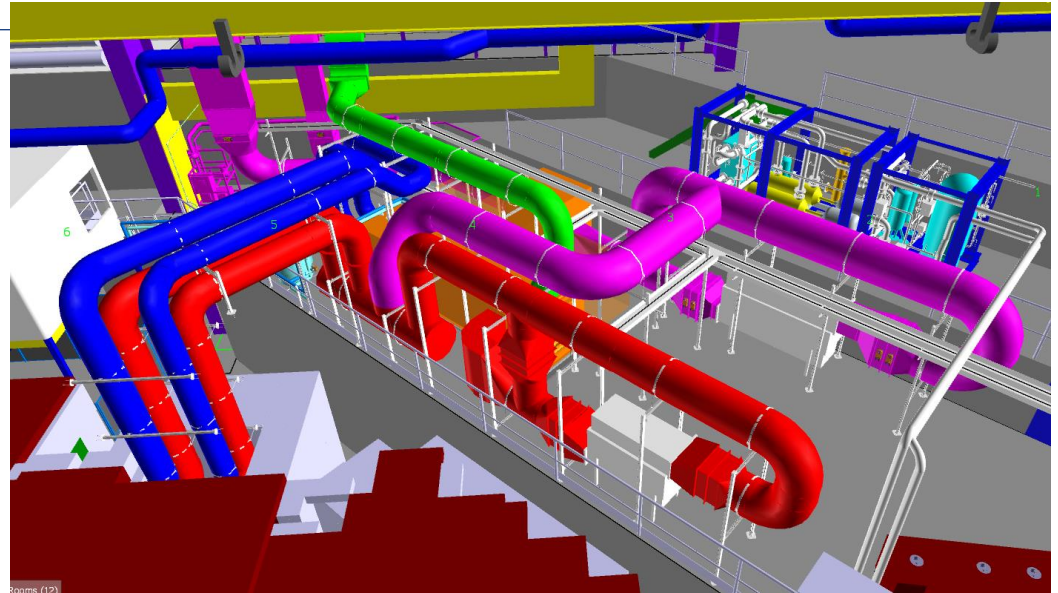
- B157 – DemiWater Skid



- B355 – Demiwater station

Status: Primary Zone Ventilation

- 80% materials on site
- Mechanical installation
 - Air Handling Units – 70%
 - Filter casings: 100%
- Electrical installation
 - Power cubicle: in position
 - Control cubicle: in position
- Next steps:
 - Ductwork installation on *gradin* and inside chimney of blocks
 - Chiller and pipework installation
 - Final validation of chimney supports

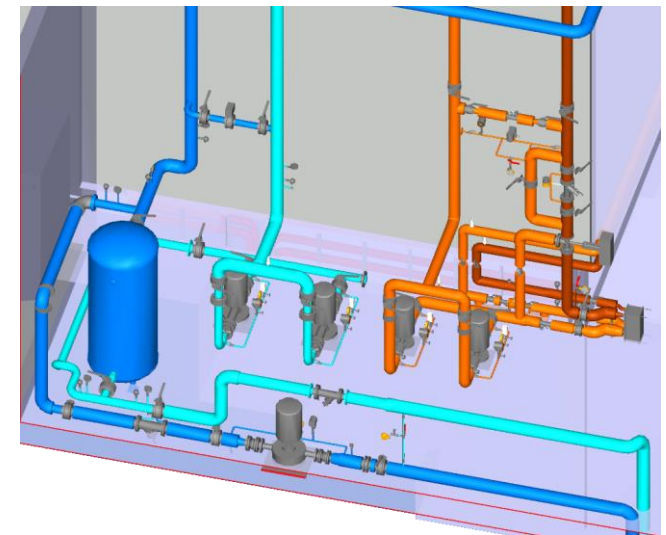
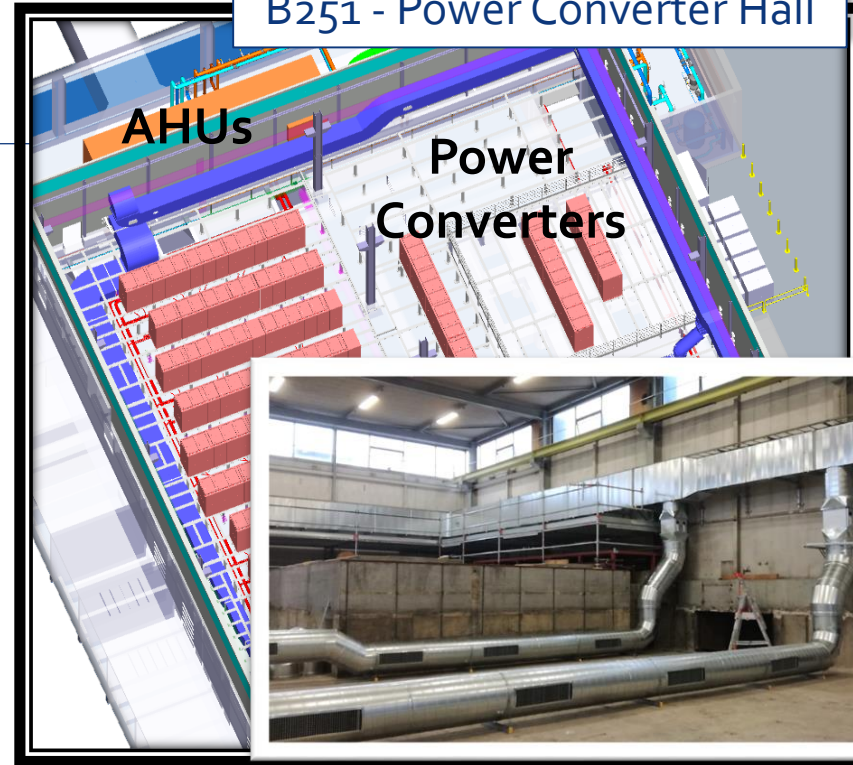


Status: other activities

- Chiller Trane relocation (CLOUD)
 - Skid, chiller and buffer tank already on *gradin*
 - Pipework installation started in walkway (30-40% complete)
 - Next steps: position elements in final location

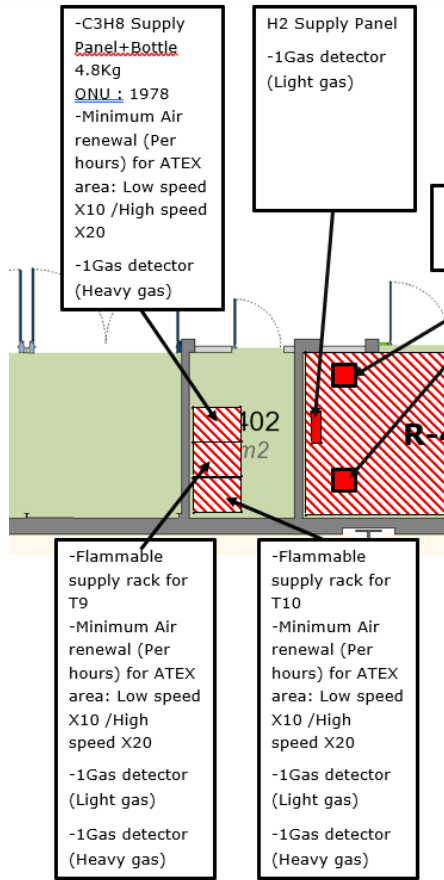
- B251 Ventilation
 - Installation in 2021 (AHUs + Cubicles)
 - Chilled Water, hot water or both.

B251 - Power Converter Hall



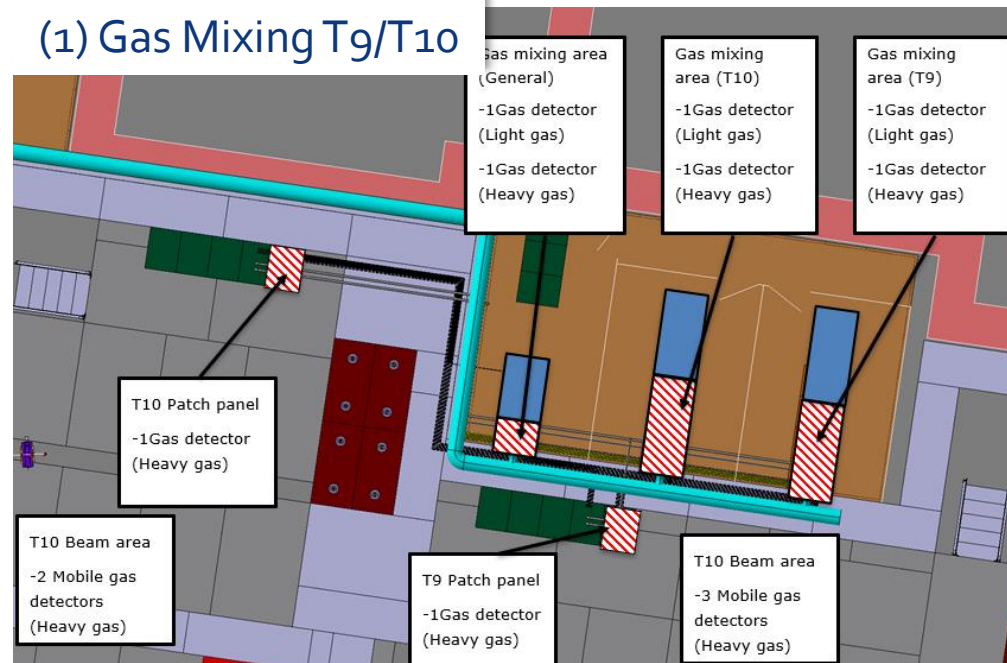
ATEX Ventilation 1/2

(2) Gas Barrack R-402



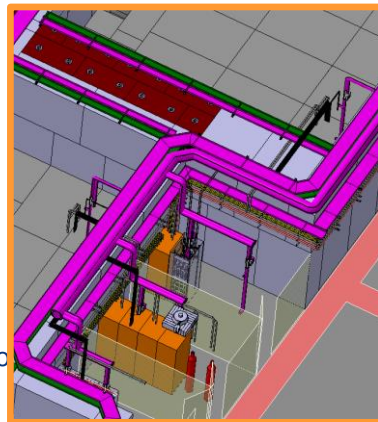
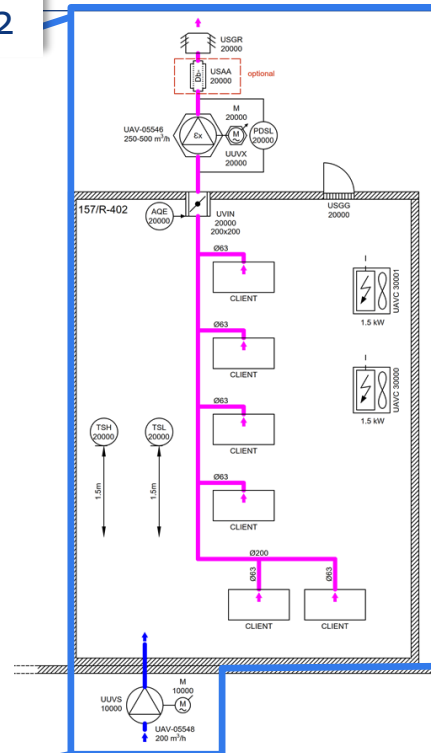
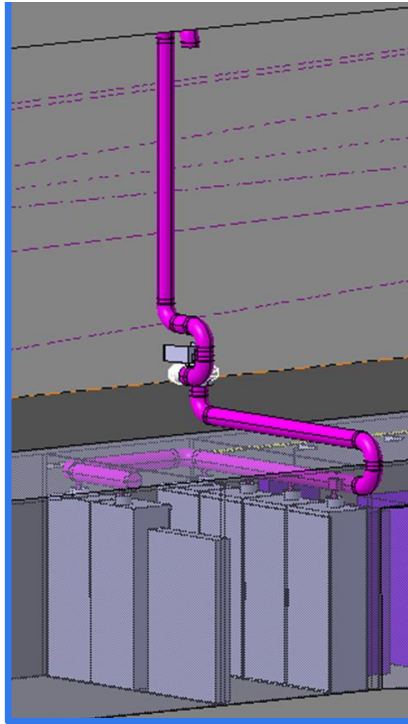
- User Requirements – [EDMS1907012](#)
- 2 Zones: (1) Gas mixing T9/T10 + (2) Barrack R-402
- Zone 2G, Gas Group IIC T₄

(1) Gas Mixing T9/T10



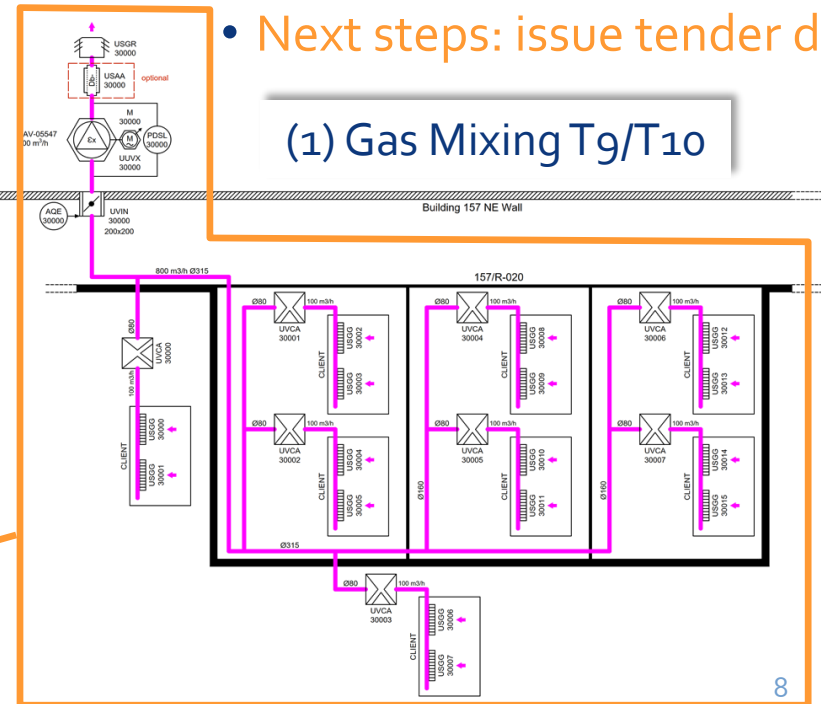
ATEX Ventilation 2/2

(2) Gas Barrack R-402



- Work Package: EDMS
- Technical solution complete
 - 2 Atex Extraction Fans (low noise)
 - 1 Supply fan
 - 2 Atex heater
- P&ID and integration done
- Next steps: issue tender docs

(1) Gas Mixing T₉/T₁₀



Challenges ahead and criticalities

- Demineralised water cooling
 - Connection between B157 skid and pipework in B352 (for EA magnets in PS area) and in Primary zone bunkers can only occur once metallic structure that supports shielding blocks is in place → postponed to Mid August → no cooling water to Magnets in PS area and Primary Zone bunkers (Primary Area + T8)
- PZ Ventilation
 - Exhaust chimney installation – delicate operations – already discussed and involved EN-EA, EN-HE and EN-ACE to define steps
 - Bunker airtightness – good progress in this direction

Commissioning plan

- Thanks for the support to EN-EA, EN-EL, EN-ACE, EN-MME, TE-EPC, TE-MS, SMB-SE, IT-CS, HSE-RP, RAM, SADES, OUVAROFF...

	2020								2021							
	May	Jun	Jul	Aug	Sep	Oct	Nov	Dec	Jan	Feb	Mar	Apr	May	Jun	Jul	Aug
DemiWater Cooling: Hydrostatic pressure tests			■	■												
DemiWater Cooling: Pump alignment			■													
DemiWater Cooling: B355 station + B157 skid (functional and performance tests)			■	■												
DemiWater Cooling: B251 commissioning (valve and flow setting)				■	■											
DemiWater Cooling: B352 commissioning (valve and flow setting)				■	■											
DemiWater Cooling: B157 commissioning (valve and flow setting)				■	■			■								
Skid Trane: commissioning (valve and flow setting)									■	■						
PZ ventilation: commissioning (functional and performance test <u>with no roof and no heat load</u>)								■	■							
PZ ventilation: commissioning (functional and performance tests <u>with roof and no heat load</u>)											■					
PZ ventilation: commissioning (functional and performance tests <u>with roof and heat load</u>)														■	■	
EX Ventilation: commissioning (functional and performance tests)														■		

Thanks for your attention !



EAST AREA RENOVATION