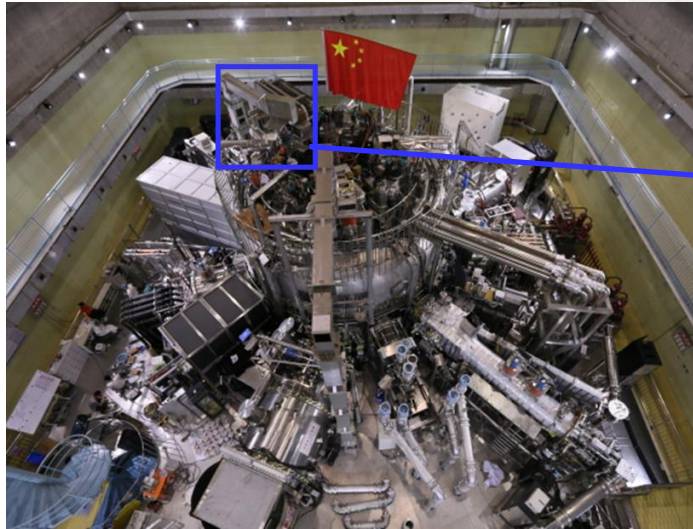
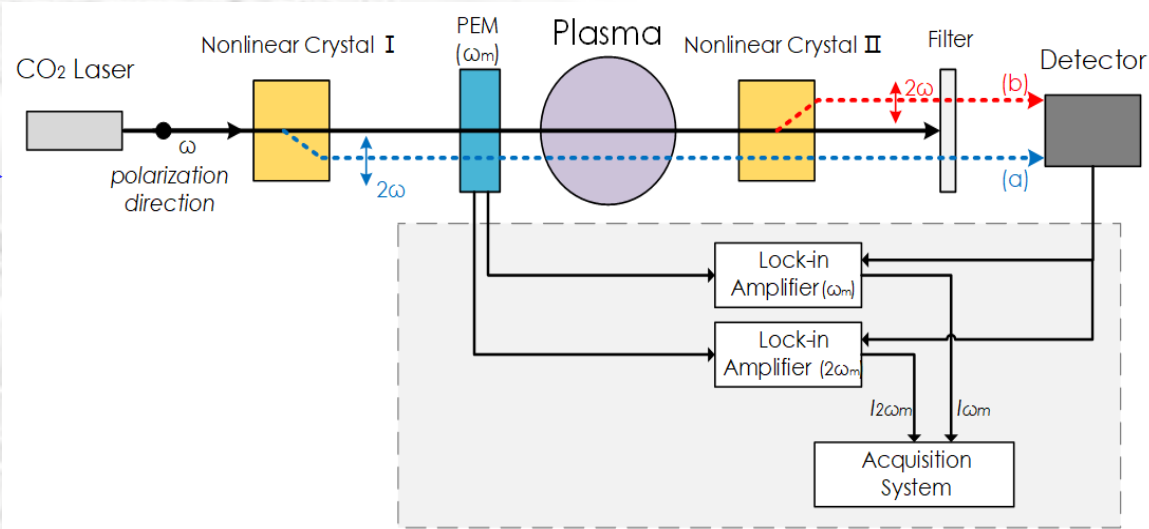




A lock-in amplifier module for CO₂ dispersion interferometer on EAST tokamak



EAST Tokamak
@Hefei, China



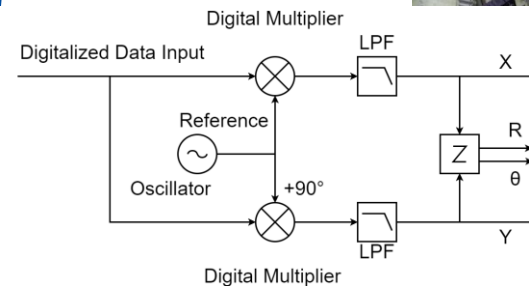
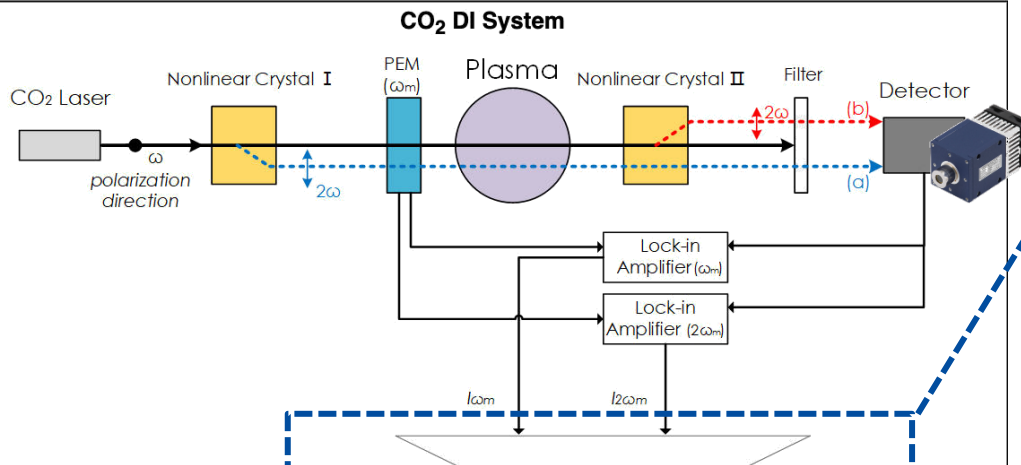
CO₂ dispersion interferometer on EAST

- Electron density measurement
- Feedback control input

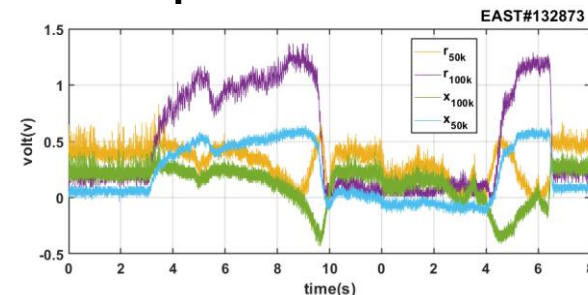
Yuan Yao, Institute of Plasma Physics, CAS, Hefei, Anhui, China

24th IEEE Real Time Conference - ICISE, Quy Nhon, Vietnam
24th IEEE Real Time Conference - ICISE, Quy Nhon, Vietnam

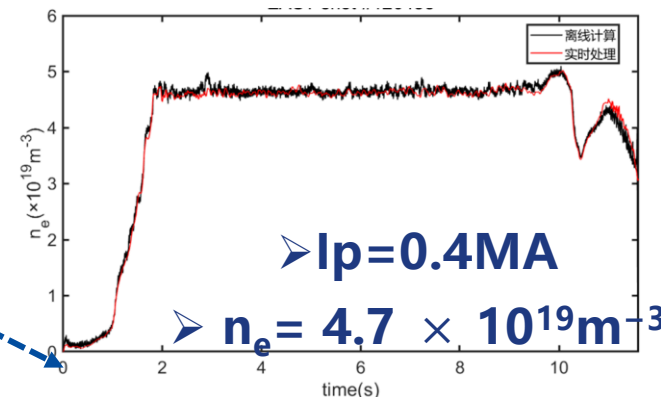
LIA module & DAQ for CO₂-DI



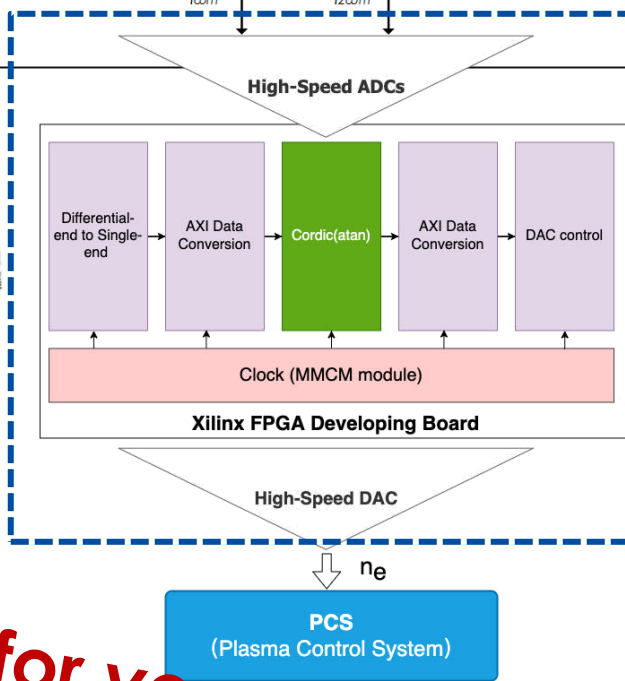
Principle of the LIA module



Outputs of the LIA module



Result of the density measurement



• Thanks for your attention.

