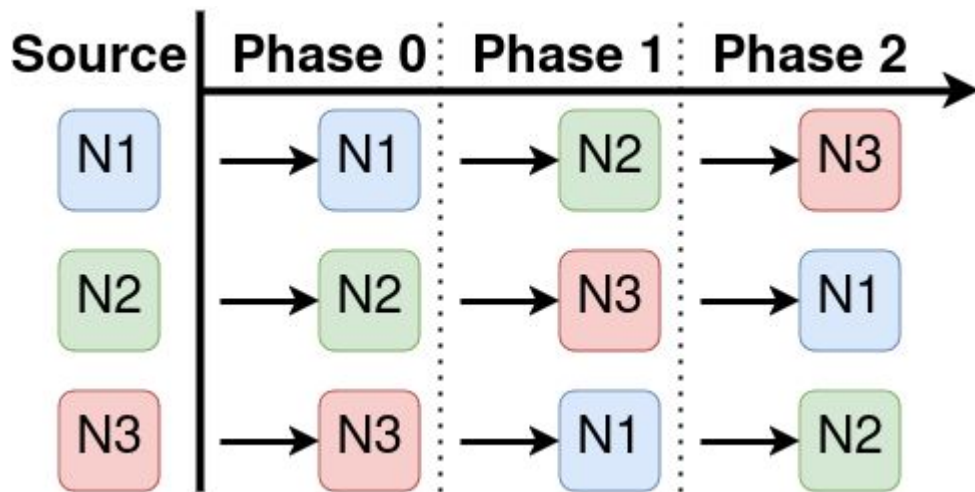
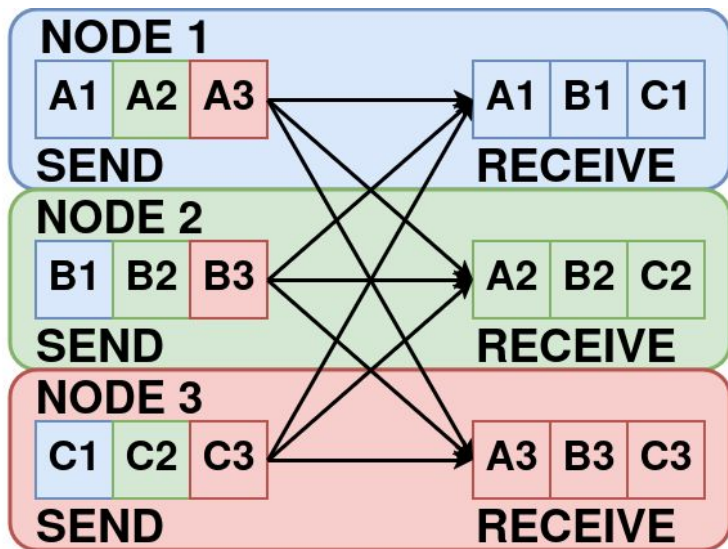


## The Event Building process and the All-to-all collective exchange



# Measuring Performance Under Failures in the LHCb Data Acquisition Network

Our contributions:

- Statistics on the duration, frequency, and underlying causes of link failures in the LHCb DAQ network.
- Comparison of the synchronized and unsynchronized All-to-all exchange in terms of scalability and fault-tolerance.
- Design recommendations.

