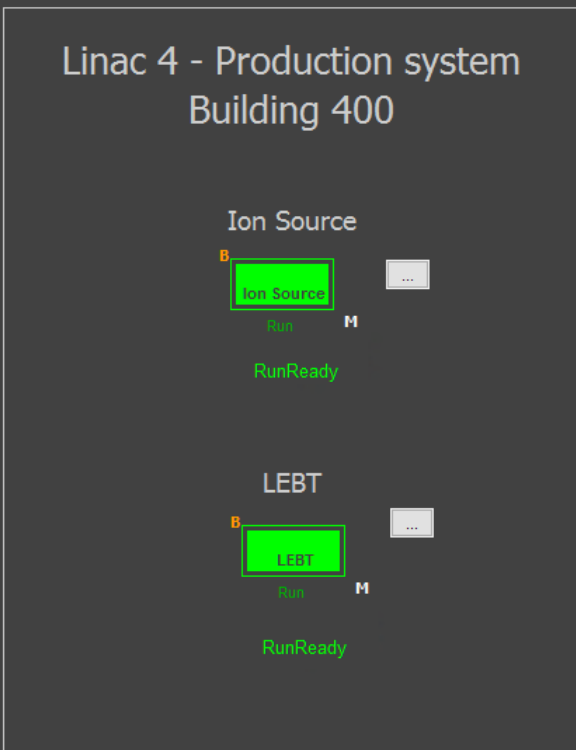
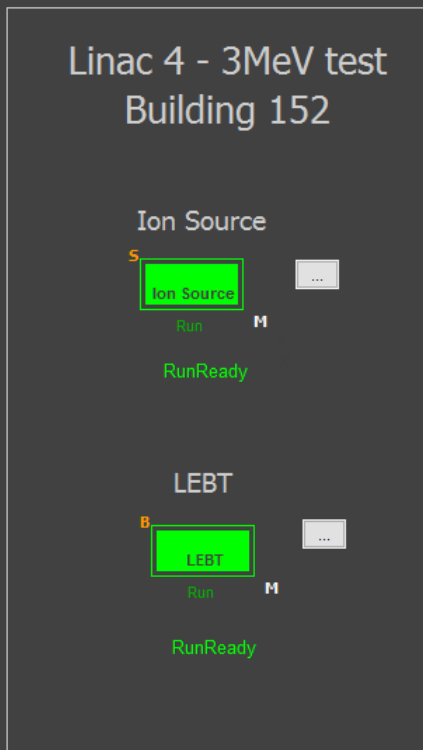




### On-call from September 1st



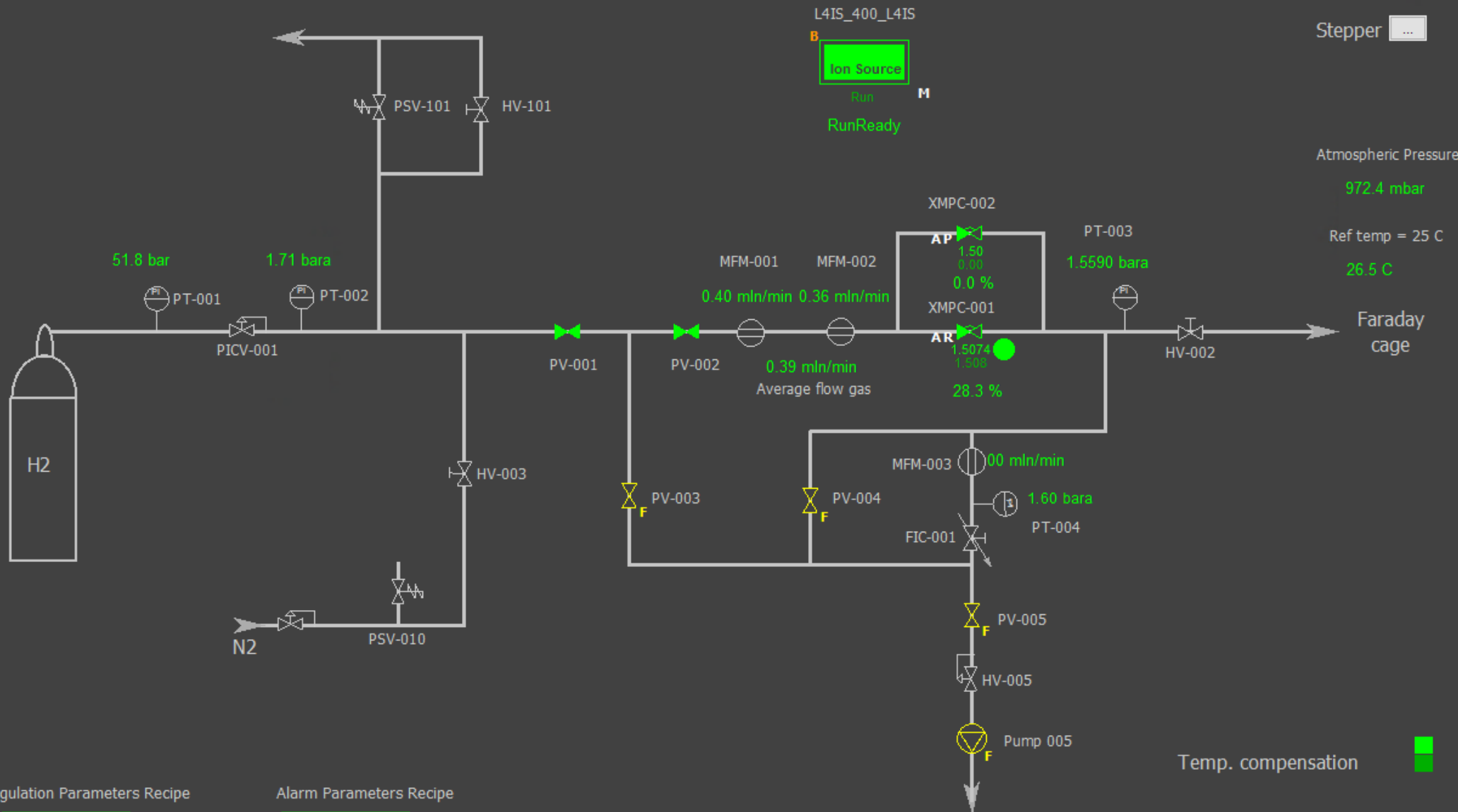
### No On-call



### No On-call



B400 and B152 are equal



Stepper ...

Atmospheric Pressure

972.4 mbar

Ref temp = 25 C

26.5 C

Faraday cage

Regulation Parameters Recipe

L4IS\_400\_Regulati...  
L4IS\_400\_Regulati...

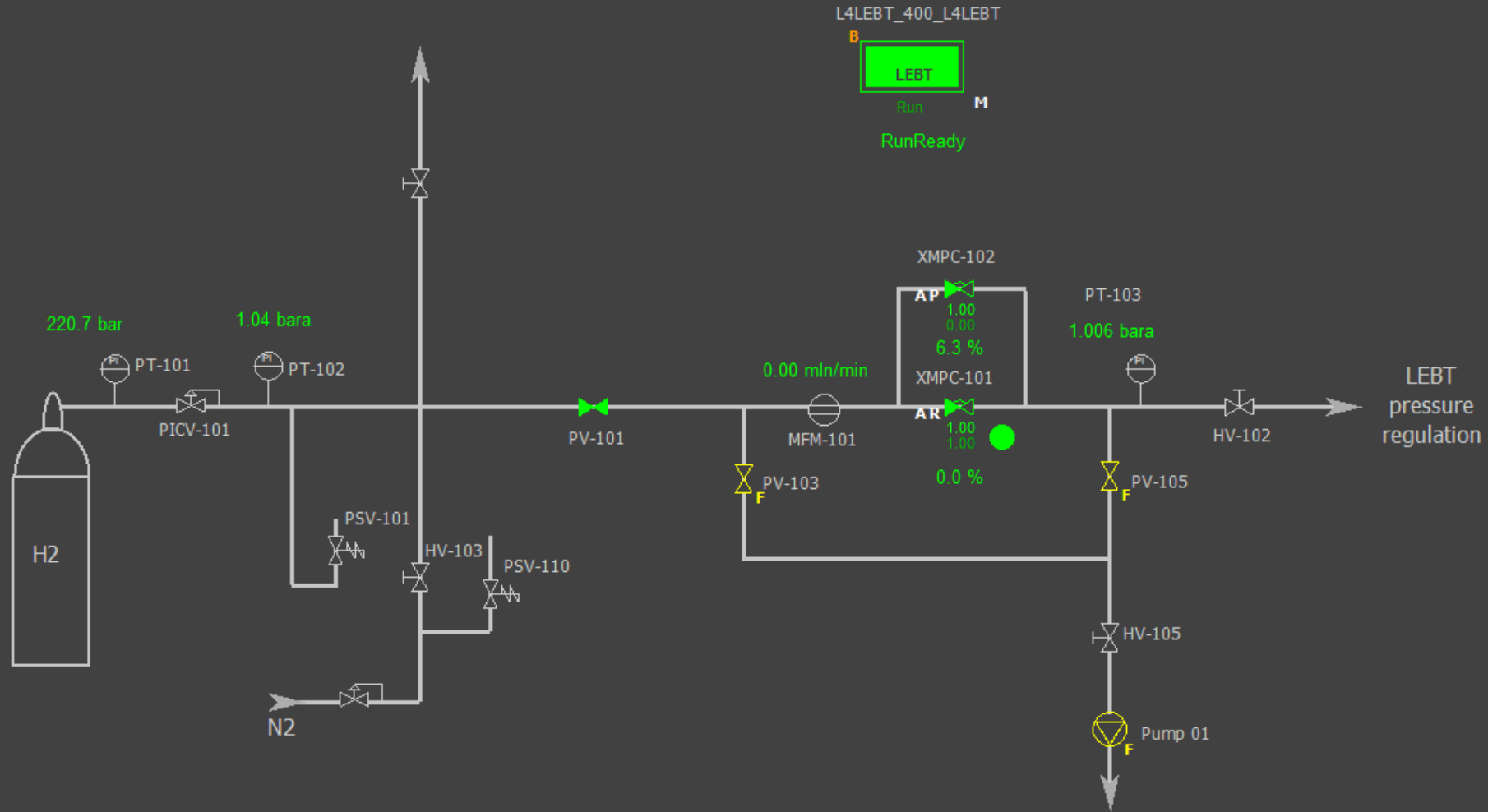
Alarm Parameters Recipe

L4IS\_400\_Alarms...  
L4IS\_400\_Alarms...

Temp. compensation ■

Set Point requested 1.500 bara  
1.500 bara

Set Point applied 1.508 bara



Stepper ...

Regulation Parameters Recipe

- L4LEBT\_400\_Regul...
- L4LEBT\_400\_Regul...

Alarm Parameters Recipe

- L4LEBT\_400\_Alarm...
- L4LEBT\_400\_Alarm...

Set Point requested 1.00 bara  
 1.00 bara  
 Set Point applied 1.00 bara

P&I drawings as well as Functional analysis and operational procedure are available on EDMS:

[1291450](#) : P&ID

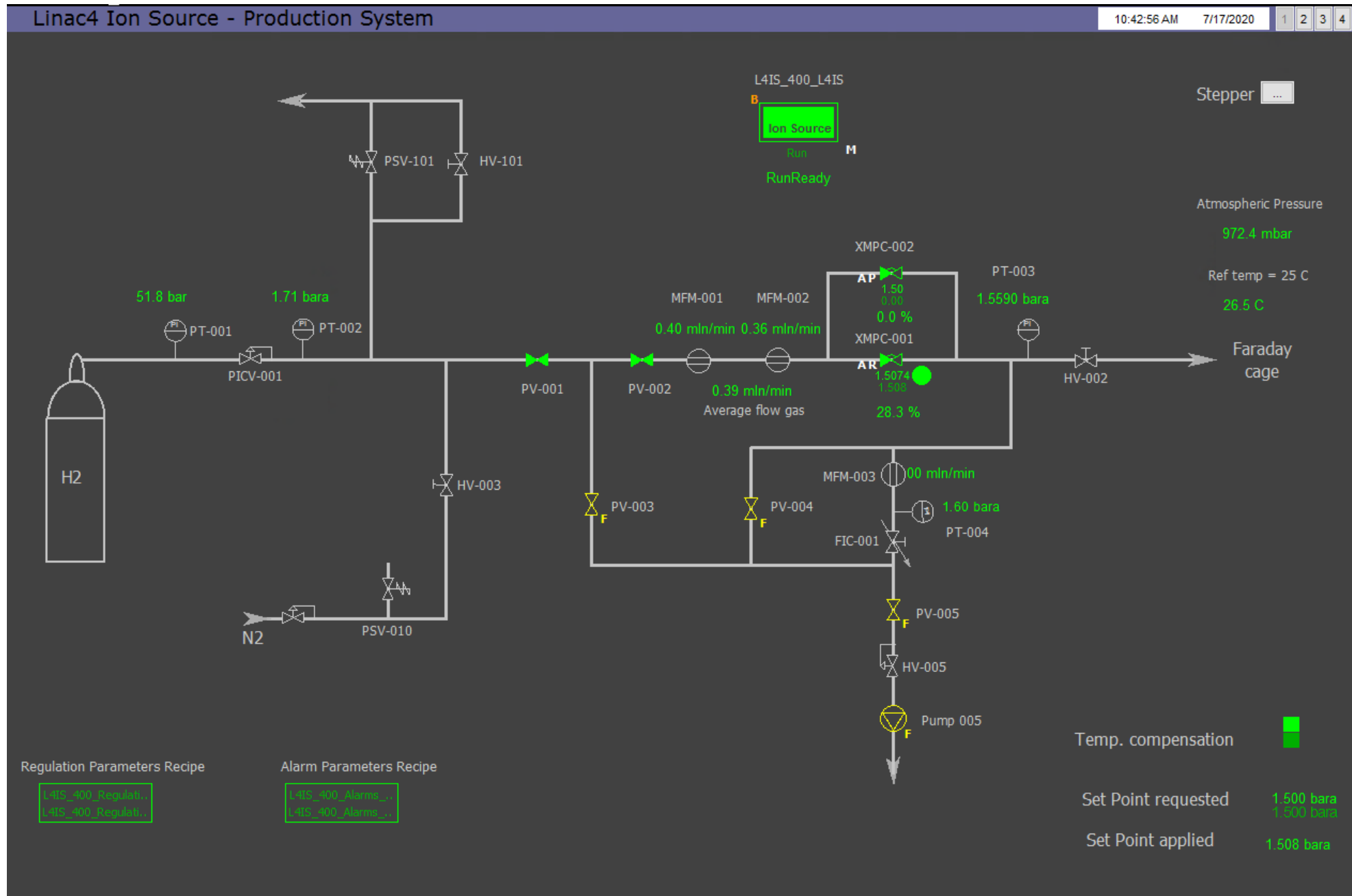
[1320766](#) : Functional analysis for controls system

[1320768](#) : Emergency procedure in case of problem during operation

[1320770](#) : Operational Manual for software controls (to be updated)

[1815139](#) : Procedure for replacing the H2 bottle (to be updated with <https://eloggas.web.cern.ch/Non-LHC+Experiments/196> )

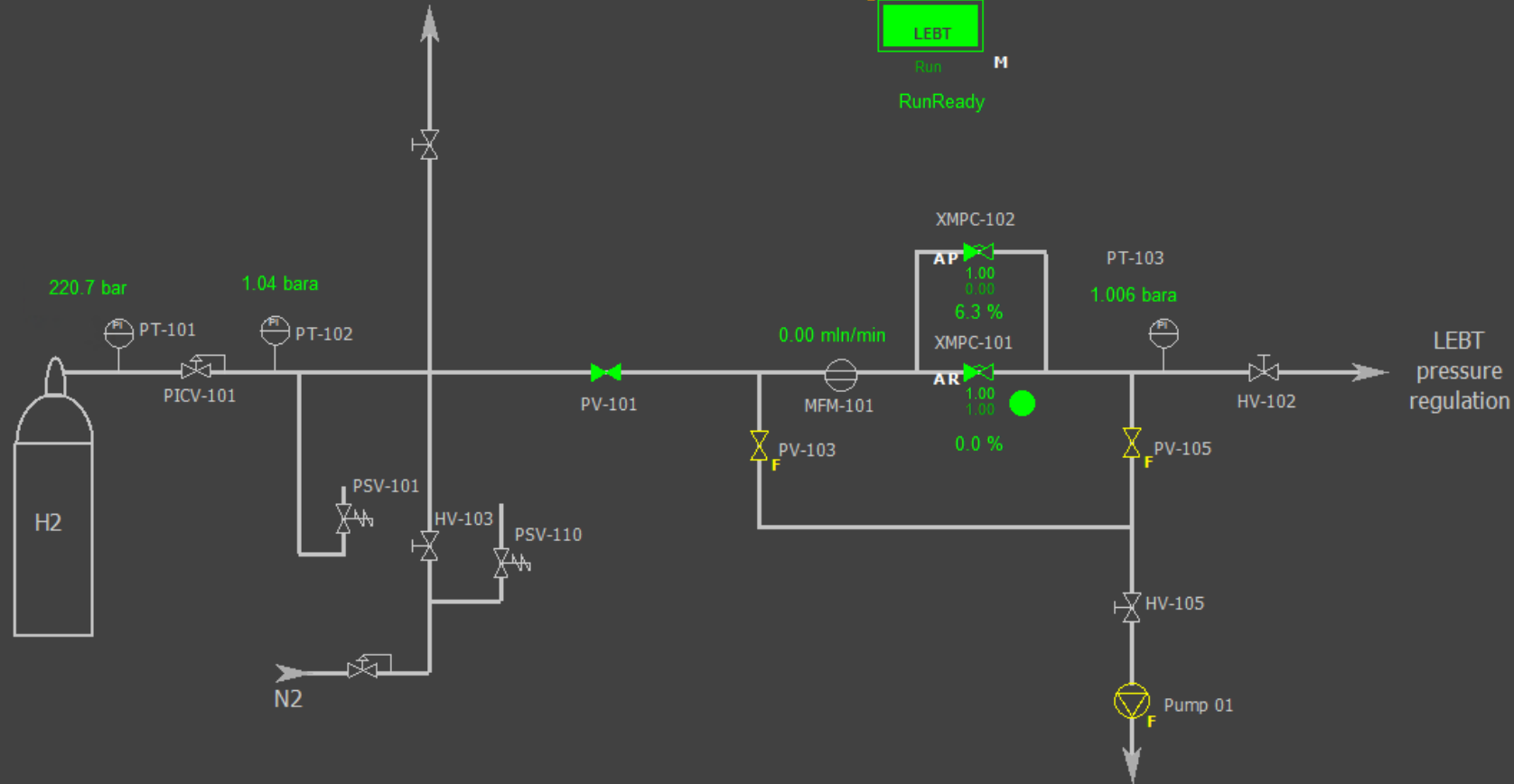
Some maintenance to be done, already scheduled before Albin left...:



L4LEBT\_400\_L4LEBT

Stepper ...

LEBT  
Run  
RunReady



Regulation Parameters Recipe

L4LEBT\_400\_Regul...  
L4LEBT\_400\_Regul...

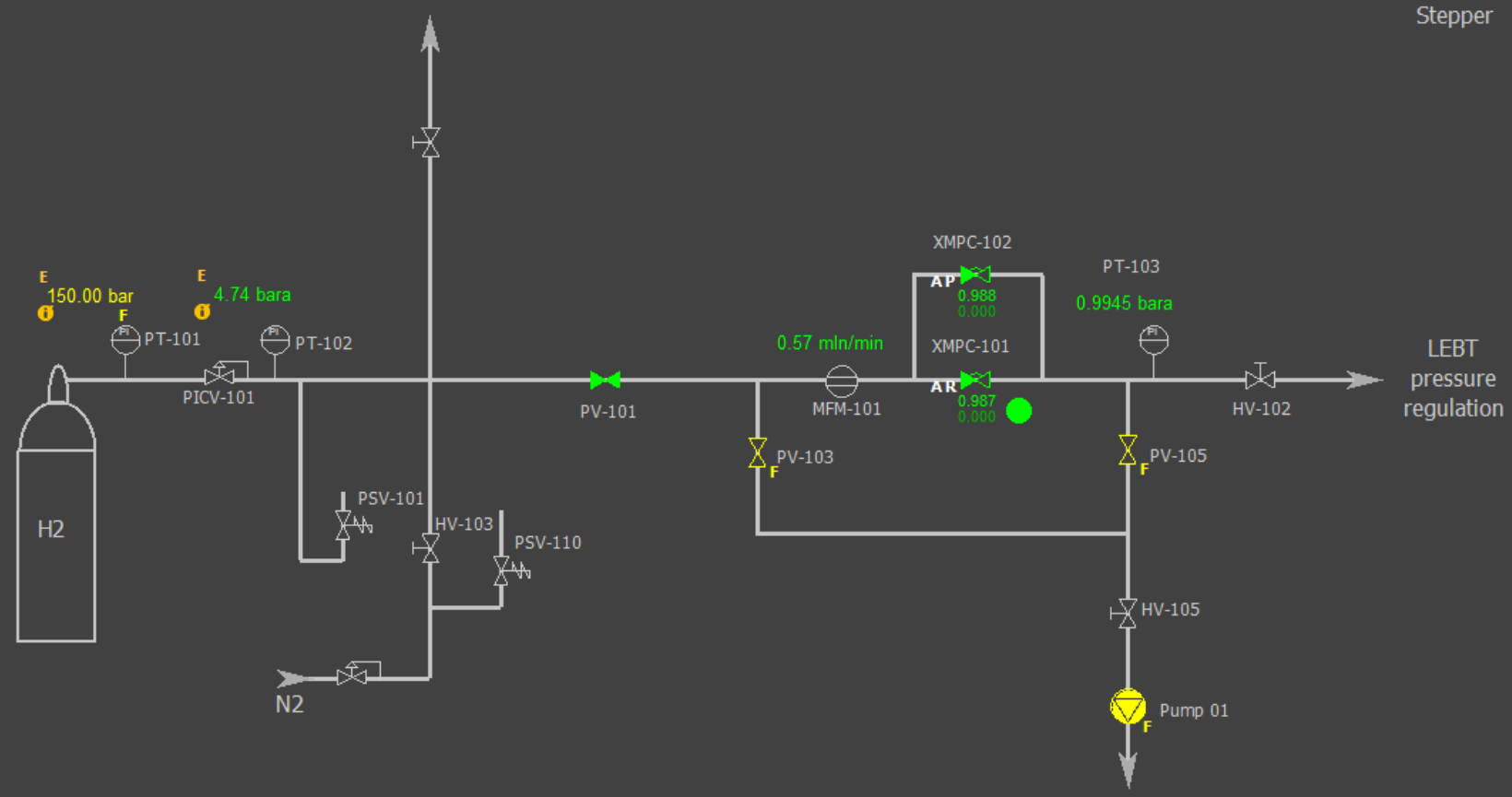
Alarm Parameters Recipe

L4LEBT\_400\_Alarm...  
L4LEBT\_400\_Alarm...

Set Point requested 1.00 bara  
Set Point applied 1.00 bara

L4LEBT\_152\_L4LEBT

Stepper  **LEBT**  
Run  M  
RunReady



Regulation Parameters Recipe

L4LEBT\_152\_Regul...  
L4LEBT\_152\_Regul...

Alarm Parameters Recipe

L4LEBT\_152\_Alarm...  
L4LEBT\_152\_Alarm...

Set Point requested 1.00 bara  
1.00 bara

Set Point applied 0.985 bara

Access to request and training to follow:

**Access to request:**

Permission 0400

[https://apex-sso.cern.ch/pls/htmldb\\_edmsdb/f?p=404:2100:3258541391662::NO:RP:PERMISSION\\_ID:222](https://apex-sso.cern.ch/pls/htmldb_edmsdb/f?p=404:2100:3258541391662::NO:RP:PERMISSION_ID:222)

Permission LINAC4 TUNNEL

[https://apex-sso.cern.ch/pls/htmldb\\_edmsdb/f?p=404:2100:3258541391662::NO:RP:PERMISSION\\_ID:26](https://apex-sso.cern.ch/pls/htmldb_edmsdb/f?p=404:2100:3258541391662::NO:RP:PERMISSION_ID:26)

**Required trainings:**

Safety at CERN / La Sécurité au CERN

<https://lms-middleware.cern.ch/lms-middleware/secure/module/follow?levelCodes=10010>

Electrical Safety - Awareness - Facilities / Sécurité Électrique - Sensibilisation - Installations

<https://lms-middleware.cern.ch/lms-middleware/secure/module/follow?levelCodes=10200>

CERN - Beam Facilities / CERN - Installations faisceaux

<https://lms-middleware.cern.ch/lms-middleware/secure/module/follow?levelCodes=10800>

**Impact number:**

[Impact number:159299](#)