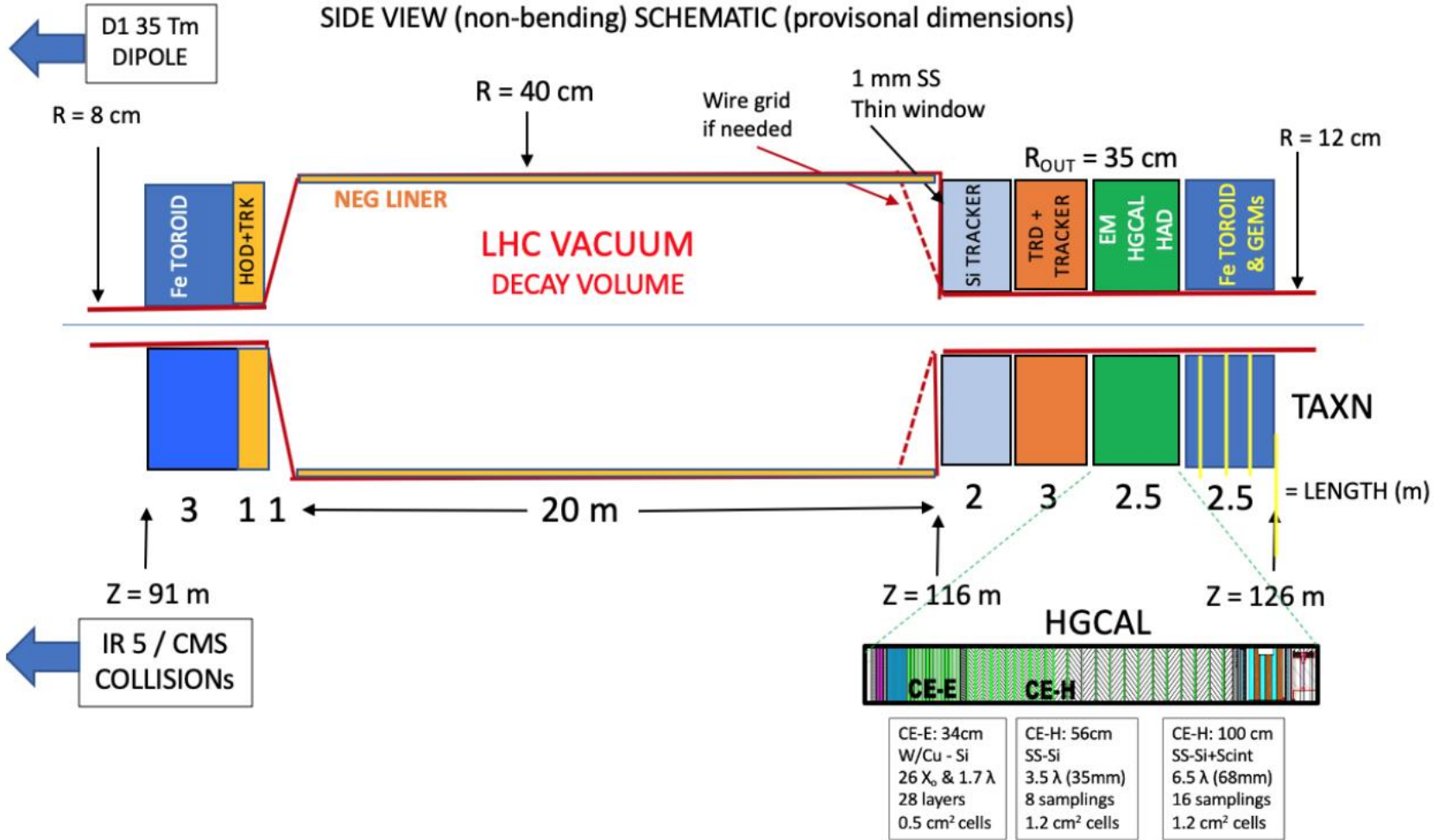
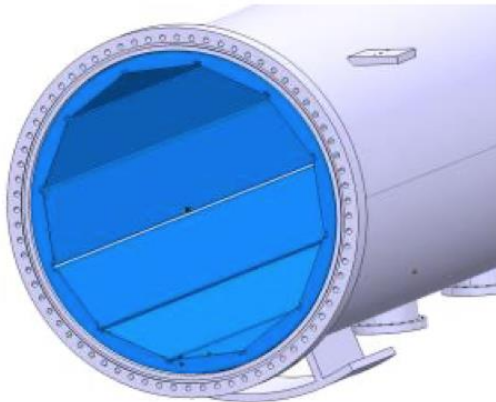


# FORWARD MULTIPARTICLE SPECTROMETER SIDE VIEW (non-bending) SCHEMATIC (provisional dimensions)

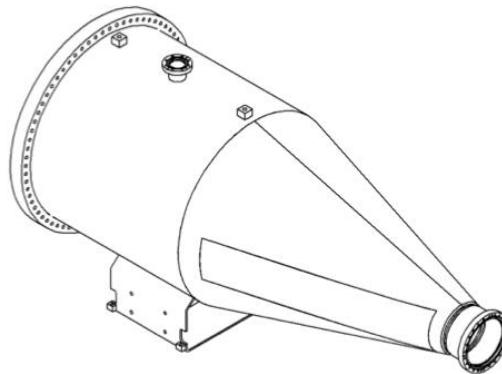


# A wide aperture vacuum chamber in LHC: case of ALICE ZDC beam pipe in LSS2

- Circular Stainless Steel beam pipe with transitions from 800 to 212.7 mm
- Length over 25.7 m
- Vacuum Transition Chambers (VCT) with 15° tapering angle (impedance)
- Frame with NEG coated liners



NEG liners



VCTCH

