

Leak in TT2

Jose A. Ferreira (TE-VSC)



| **LS2**



Leak in TT2

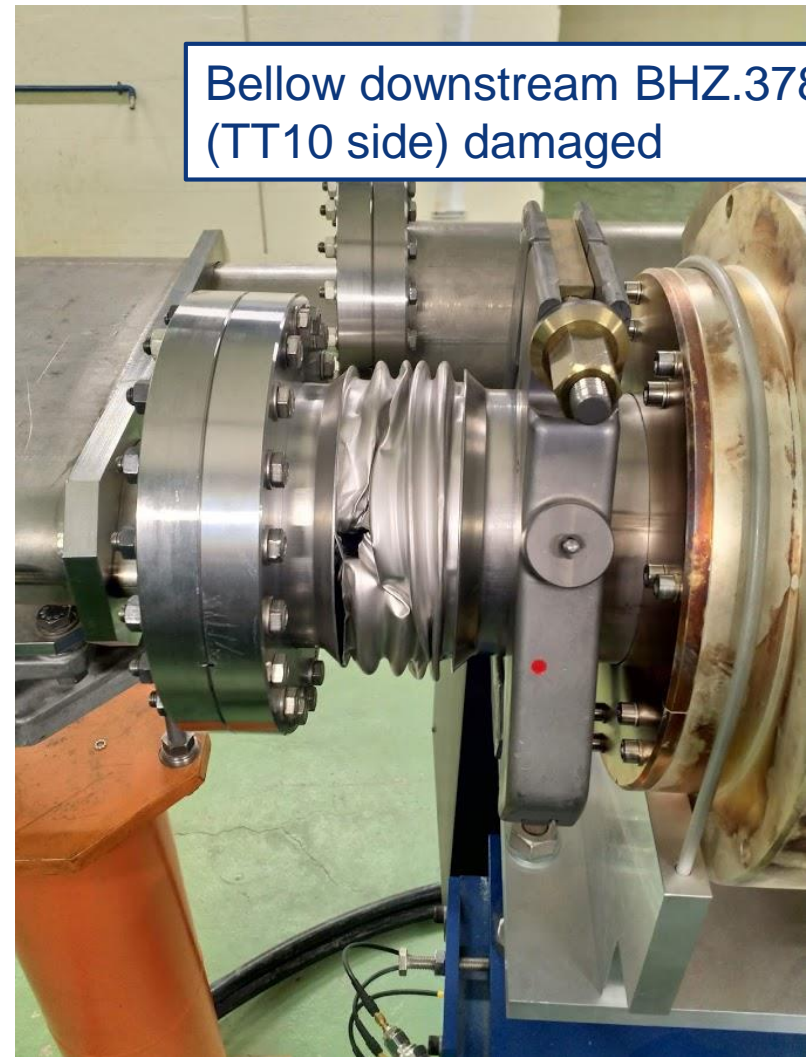
- Failure of support between BHZ.377 and BHZ378
- The fall of the support created a sudden movement on the other side of the chamber
- 3 bellows affected by the movement
- Very poor welding of the support to the plate.



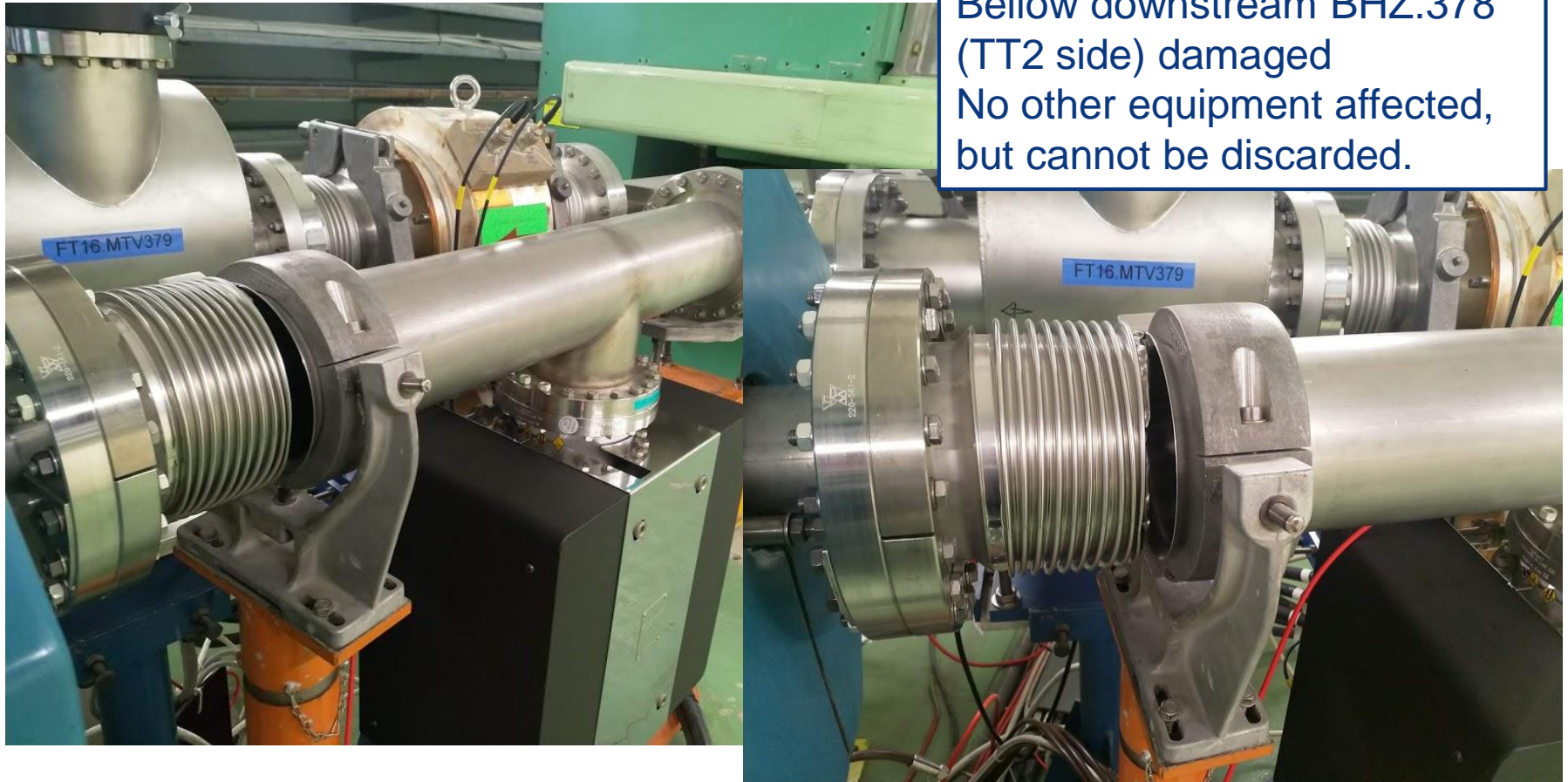
Leak in TT2



Leak in TT2



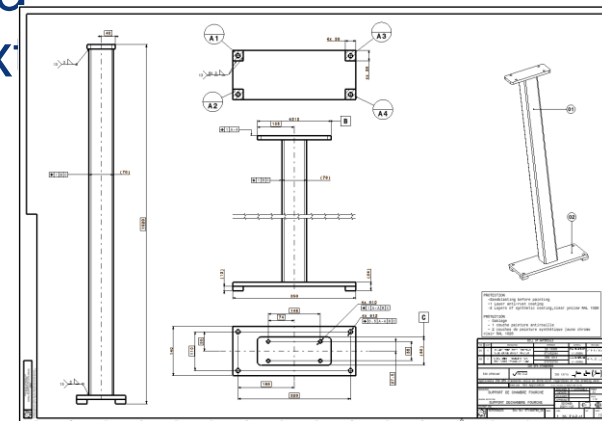
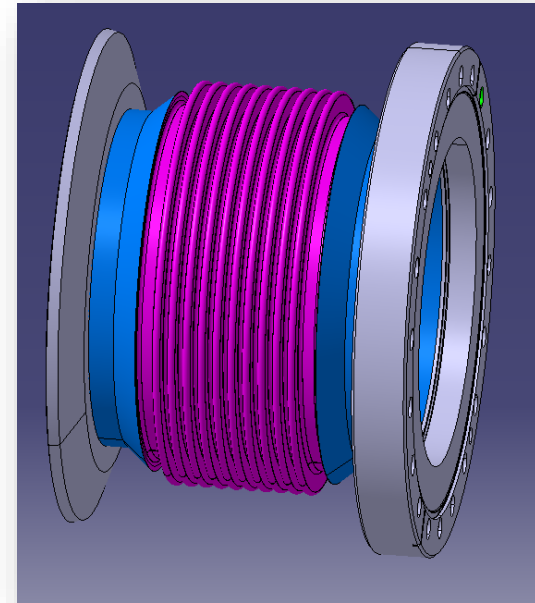
Leak in TT2



Leak in TT2

Proposed action list

- ❑ Replace the 3 damaged bellows
- ❑ Spare bellows localized and tested. Fixed DN160CF flanges available, 2x rotatable DN160CF also available
- ❑ Some chambers undocumented → Drawing production started
- ❑ Discussions with workshop to be started on Monday (chambers beginning of next week t.b.c.)
- ❑ No major issue for Hardware Commissioning.





LS2

