

# System-on-Chip (SoC) Interest Group Meeting

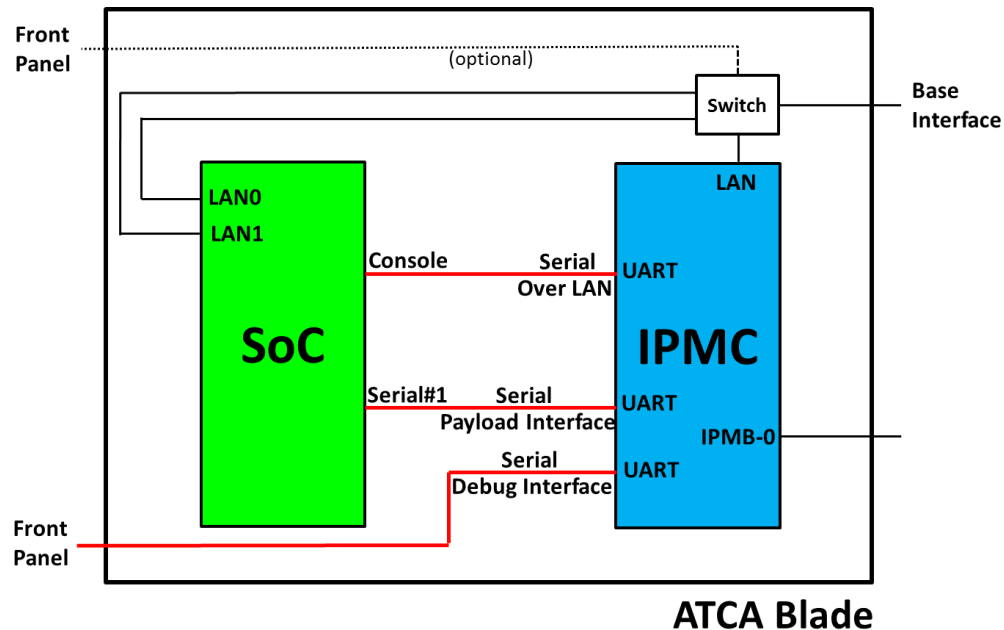
- **News on IPMC**
- **News on CentOS**
- **Workshop in 2021**

# CERN-IPMC (1)

## Interface between SoC and IPMC - up to three functions:

- Serial Payload Interface (PI) - information from IPMC and ShelfManager, payload sensors, etc.
- Serial Over LAN (SOL) - console over network
- Serial Debug Interface (SDI) - strongly recommended, at least for development of a new board

## Typical Implementation:



*Note, that this is just an example, other configurations are possible.*

# CERN-IPMC (2)

V3 has two UARTs available, V4 has three UARTs available:

	Pins V3	Pins V4
UART[0]	57(Tx), 60(Rx)	57(Tx),60(Rx)
UART[1]	n.a.	58(Tx),61(Rx)
UART[2]*	75(Tx),76(Rx)	75(Tx),76(Rx) OR** 92(Tx), 93(Rx)

\* Optional UART, can also be used as GPIO

\*\* Selection between the two pairs is done at compilation of the software

Order here: <https://cern-ipmc.web.cern.ch/order>

Frame contract in place, lead time of maximum 3 months, specify if you need a V4

Sample software available here: <https://gitlab.cern.ch/soc/u-boot-sipl>

- Code for FSBL and U-Boot (C code)
- User application software, e.g. ATLAS MUCTPI (C++ code), contact R. Spiwoks

# CentOS - Future (1)

On 8-DEC-2020 CentOS announced to abandon long-term support, and to go “stream”, i.e. daily updates, see <https://blog.centos.org/2020/12/future-is-centos-stream>

See presentations:

- WLCG GRID Deployment Board (GDB), 13-JAN-2021:  
T. Bell, <https://indico.cern.ch/event/876772>
- CERN-IT Activities and Services Discussion Forum (ASDF), 21-JAN-2021:  
B. Morrice, <https://indico.cern.ch/event/992276>

End of life road map of CentOS:

	CentOS 7	CentOS 8
Previously	2024-06	2029-05
Now	2024-06	2021-12 (Linux) 2024-08 (Stream)

# CentOS – Future (2)

## Impact on CERN?

### In the short term:

- There has not been a large uptake of C8 in the accelerators/experiments at CERN
  - Some migrations to C8 started, can move to C8 Stream, snapshotting of repositories can give some stability
- ⇒ ATLAS & CMS possibly continue with CentOS 7 throughout Run 3, until end of 2024 - support of CentOS 7 is ending earlier: probably acceptable risk ...

### In the long term:

Linux Future Committee is being created:

- Revise scenarios, analyze impact, and provide input to future road map
  - All online/offline groups are represented, including ATLAS&CMS TDAQ SysAdmins, as well as the different accelerator departments and IT groups
- ⇒ Take a decision: CERN-IT, Fermilab, HEP community, and WLCG

### Concerning SoC:

- Support for CentOS 7 armv7&aarch64 (CERN-EP-ESE): [SoCTwikiPage](#), see also next presentation by M. Wyzlinski on gitlab and docker
- CERN-IT currently provide support for CentOS 8/aarch64, will move to C8 Stream
- **Retain requirement of support for aarch64 for any future Linux!**

# Workshop in 2021 (1)

## 2<sup>nd</sup> CERN System-on-Chip Workshop:

- **Week 23: 7-11 June 2021**
- **Follow-up from the 1<sup>st</sup> SoC Workshop at CERN, 2019:**
  - Get updates from the vendors, and report on progress of the various SoC projects and of common tools and solutions
- **Organized by ATLAS, CMS, and CERN-EP-ESE:**
  - M. Dobson, R. Kopeliansky, F. Meijers, D. A. Scannicchio, R. Spiwoks, contact: SoC-Workshop-Organisers@cern.ch
- **Virtual, using Zoom:**
  - A room has been booked just in case that by that time we will be able to meet in person again
- **Indico event: <https://indico.cern.ch/event/996093>**
  - Registration is open, and is free!

# Workshop in 2021 (2)

- **Timetable:**

**Five afternoons, 13.00 – 18.00 (@CERN)**

*Very tentative timetable - no presentation confirmed yet:*

- **Day 1: Vendor Presentations**
- **Day 2: Overview Presentations**
- **Day 3: Project Reports**
- **Day 4: Tutorials**
- **Day 5: Common Issues**

**Your contribution to the agenda  
is more than welcome!**

**Please contact us at [SoC-Workshop-Organisers@cern.ch](mailto:SoC-Workshop-Organisers@cern.ch)!**