

RD51 –WG7

Report from
June 2010 test beam

Matteo Alfonsi

Test beam schedule

ie date: 17-May-2010

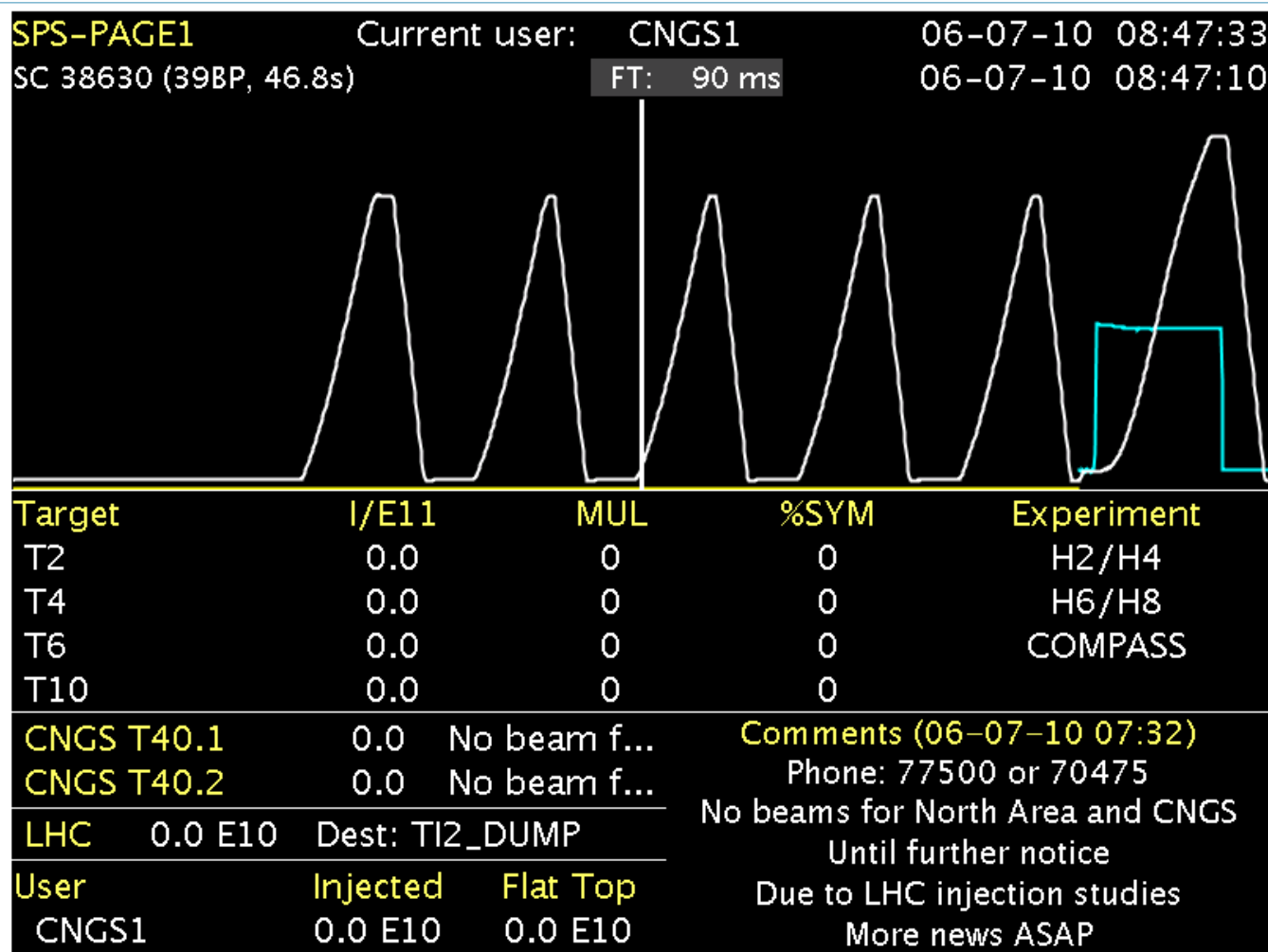
Version 2.0

(colour code: purple (dark) = scheduling meeting , light green (light) = weekend or holiday)

	Thu 3 Jun	Fri 4 Jun	Sat 5 Jun	Sun 6 Jun	Mon 7 Jun	Tue 8 Jun	Wed 9 Jun	Thu 10 Jun	Fri 11 Jun	Sat 12 Jun	Sun 13 Jun	Mon 14 Jun	Tue 15 Jun	Wed 16 Jun	Thu 17 Jun	Fri 18 Jun	Sat 19 Jun	Sun 20 Jun	Mon 21 Jun	Tue 22 Jun	Wed 23 Jun	Thu 24 Jun	Fri 25 Jun	Sat 26 Jun	Sun 27 Jun	Mon 28 Jun	Tue 29 Jun	Wed 30 Jun	Thu 1 Jul	Fri 2 Jul	Sat 3 Jul	Sun 4 Jul	Mon 5 Jul	Tue 6 Jul	Wed 7 Jul	Thu 8 Jul			
ie	8													8	16													8										8	
	BIG MD								WED MD																BIG MD														
-H2	8h T Rohe I Lak						CPIX CGRPC				8h D Lazic						CMS-CALO				8h D Lazic		CMS-HCALRO																
-H4	8h M Prest		PHOTAG dipole				8h M Chefdevill				CALICE-MMEGAS				8h M Alfonsi				RD51																				
-H6	8h Diamond		8h RD42 SPIDER H W/Velthuis H6Δ/R				8h CMOSILC A3DSi				8h A Ceccucci				NA62 - IB H6R				8h MMEGAS APIX																				

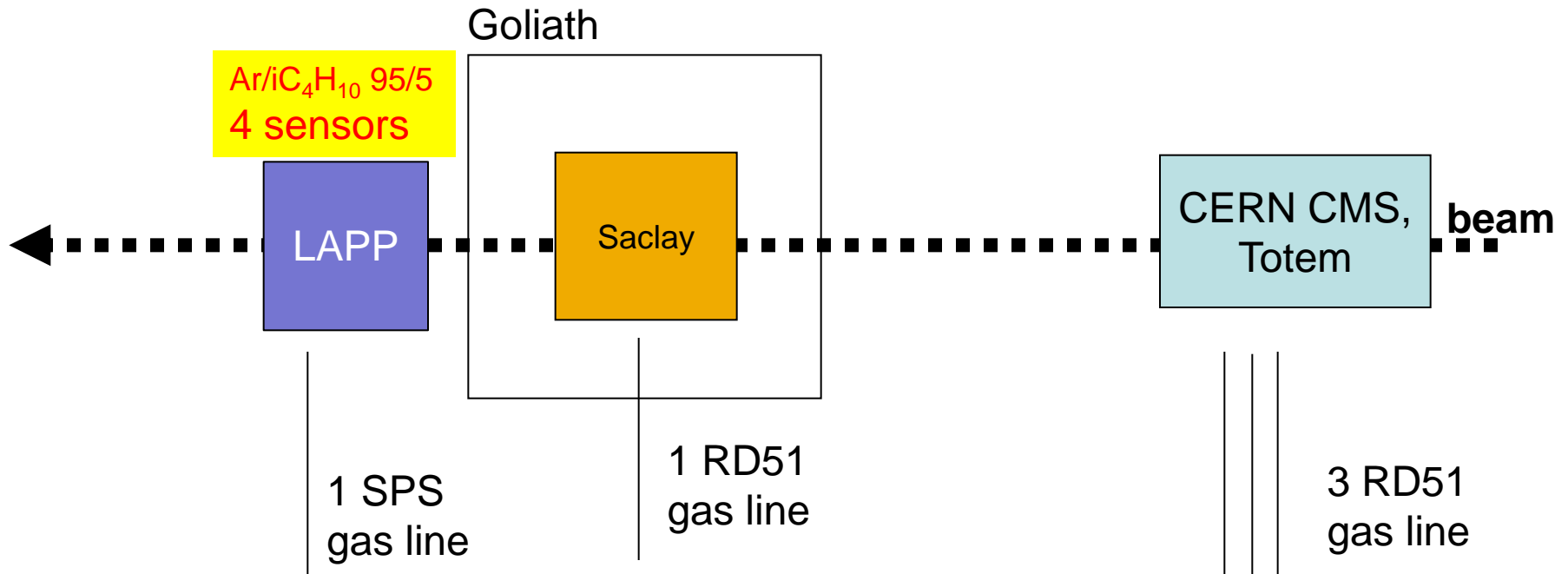
- Agreement with CALICE-MMEGAS: start on June 21st
- The BIG MD was cancelled, so we obtained 17 days of data taking!!
- Beam was present most of the time, with only 1 or 2 problematic days

LHC Filling



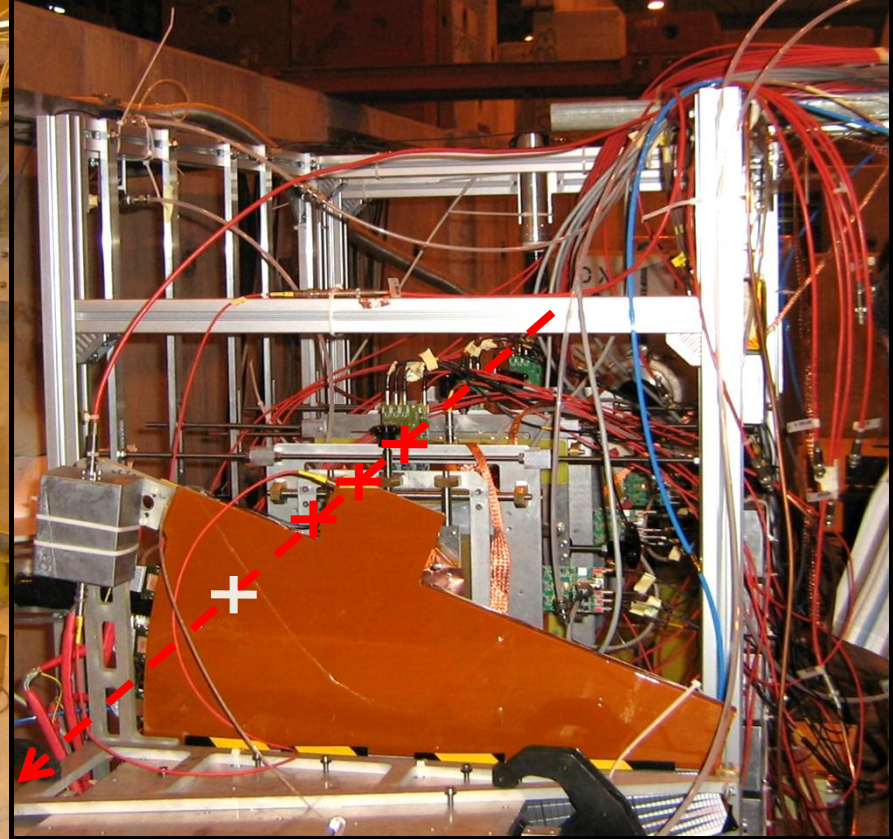
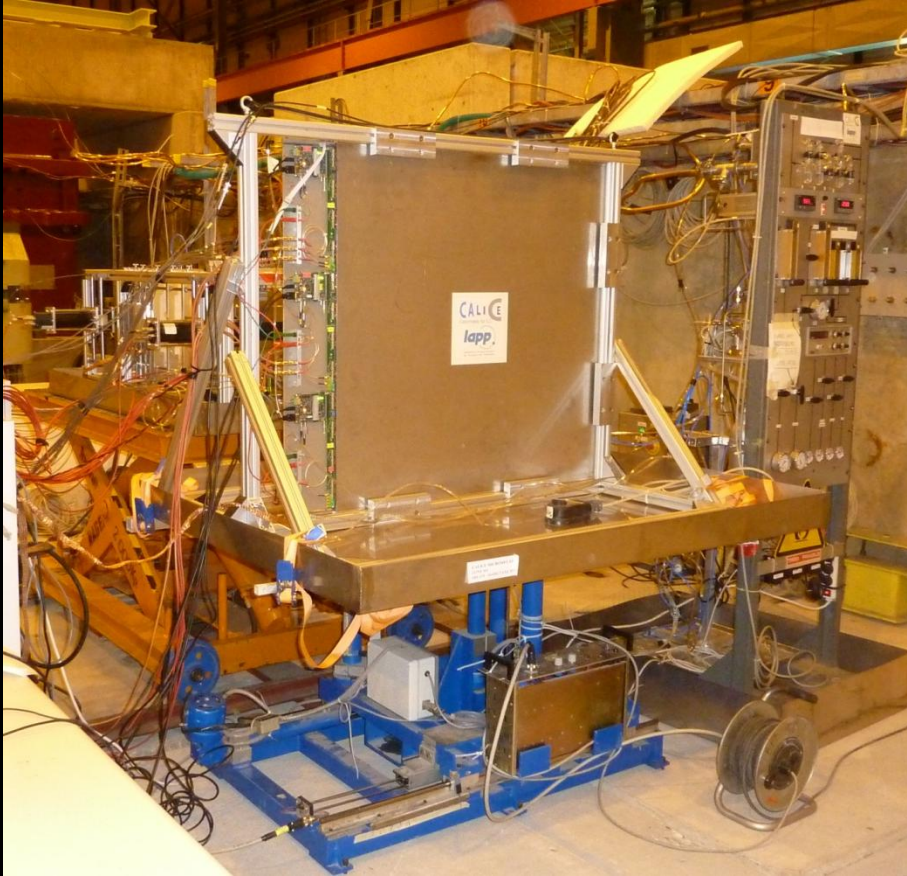
During the last days of the test, LHC started its high luminosity programme.. implying few hours per days of no beam, without notice.

June Setup:



Only 3 groups, easy organization of the accesses and the beam settings with the daily meetings (no need for a “main user schedule” like last October)

Some pictures





More



pictures...



Final remarks

- No serious problems from the beam
- All the groups took a large amount of data
- Daily meetings allowed the efficient coordination of the accesses
- The only note is the late removal of stuff from the control room, due to the BBQ at lunch time.. next time the BBQ is preferable in late afternoon