

# Comments and observations

M. Alexeev & colleagues

Università di Torino & INFN Torino



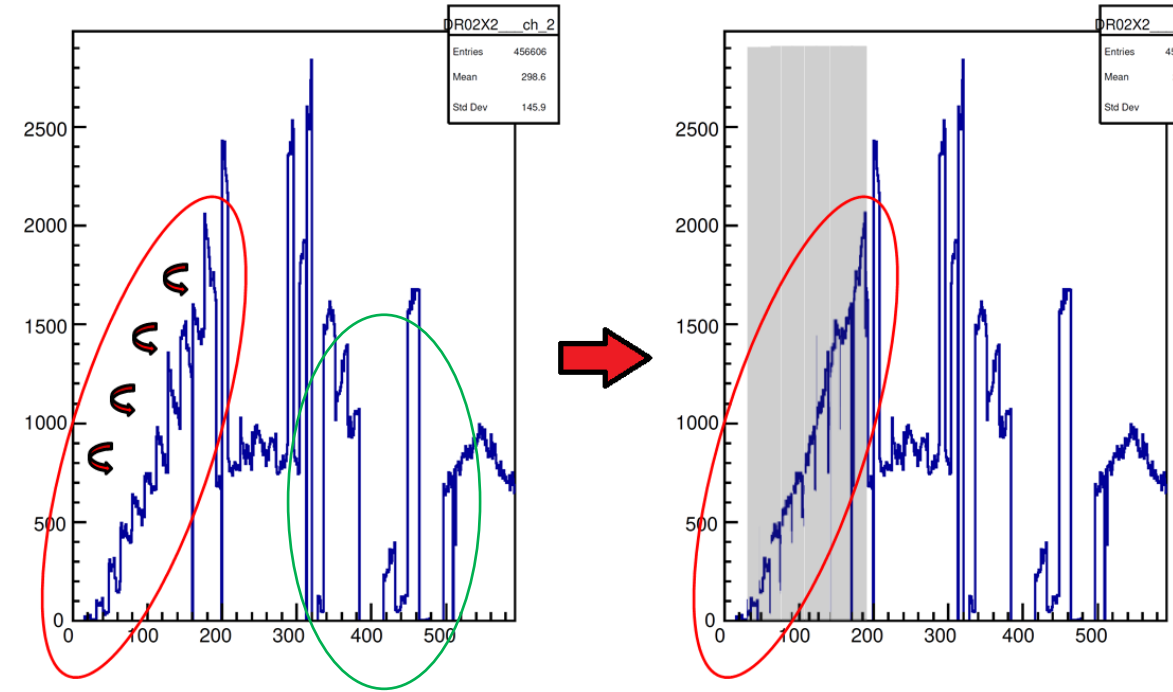
# Works on MWPCs during the winter period

- We are evaluating to refurbish from 1 (PA01) to several MWPCs
- For the operations we need the stretching machine and the space in the clean area
- Most probably we will be able to start the repair operations in February but preparations could start in 2021
- If there will be no accidents we would need ~1 week / 1,5 chamber
- Mylar (with laminated Al) availability is **still somehow a problem**



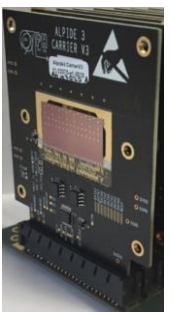
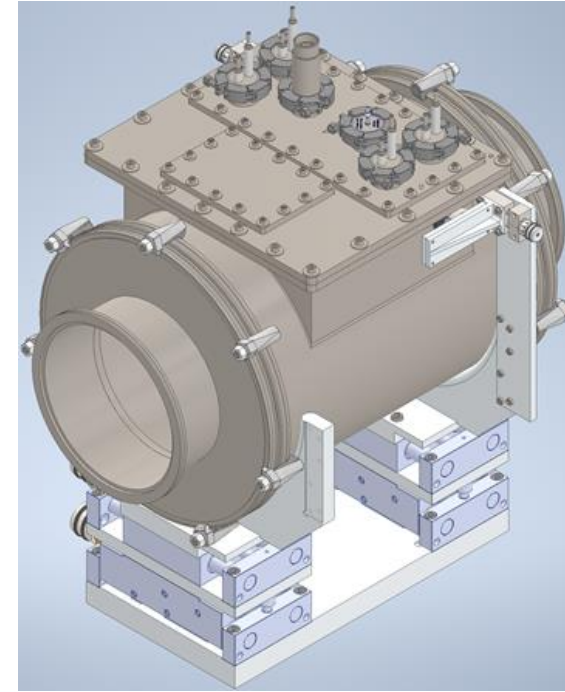
# RW interventions

- We have mounted and put in operation all the FEs but 1, that has a broken Hotlink, waiting for the a spare
- The wrong channels ordering has been corrected by a new mapping
- We are still facing some noise and gas distribution (we hope not leaks) issues
- A screening on all the channels will be installed during the winter stop
- We will update the gas distribution panel for a better control on the gas flux

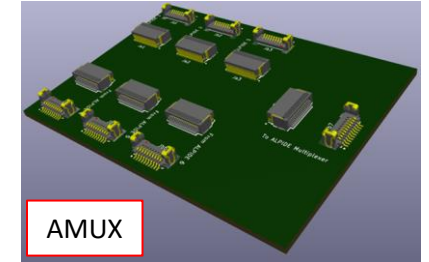


# Common tracking station @ PRM test

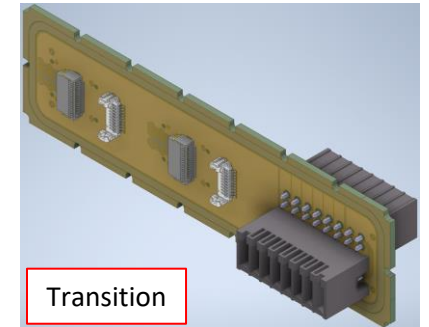
- **No information** on the status of the common vessel
- The mechanics for the ALPIDE part are in production and are expected to arrive between this week and 15.10
- The FE cards:
  - AMUX – is being submitted
  - Transition board – has been submitted **but the company informed (27.09.21) that due to a illness of personnel will not be able to fulfil the deadline.** Presently resubmitting to a different company, assembly to be made at CERN
  - CMUX – **has been produce**, firmware in development
- ALPIDE carrier cards **has been promised, no other ALPIDE is available**
- A test DAQ based on MOSAIC RO cards (help form GSI) is being assembled at CERN
- We **might have help** from GSI, York University people but need to understand if the could be part of any eventual publication of the results



Carrier v3



AMUX



Transition



CMUX

# iFTDC FE for MWPC

- We have most of the equipment ready to be assembled
- Some preliminary preparation will take place during the next MD
- Production of the final cabling is expected to be concluded before the 06.10
- Modification to the monitoring software has been started
- We need to understand how the thresholds and the configuration will be loaded into the FEs
- Reconstruction software shall be updated
- The remote monitoring of the PS is not working properly, investigating

