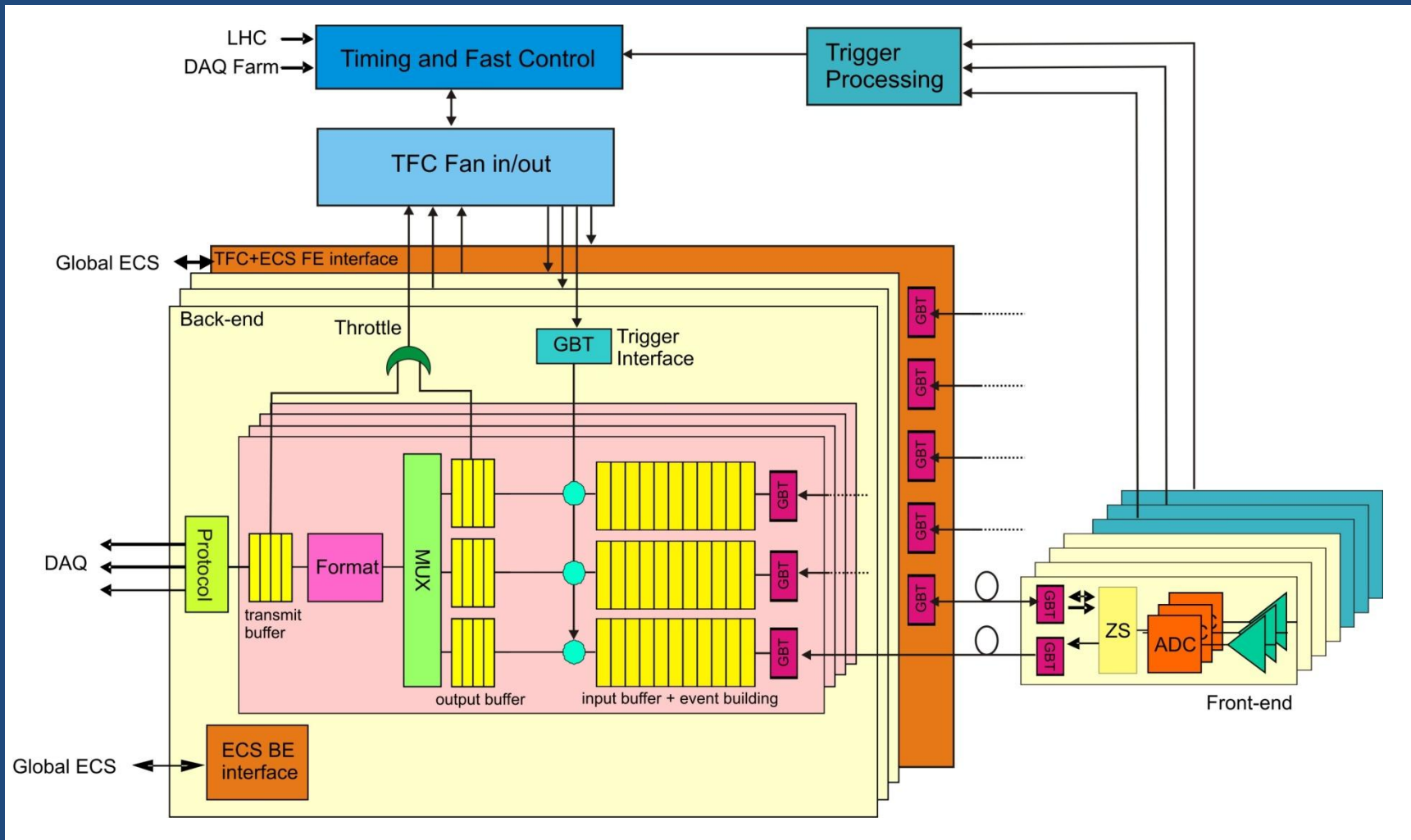


Architecture



Simulating the Upgrade Electronics

The idea:

